



15A SURFACE MOUNT BRIDGE RECTIFIER

FEATURES:

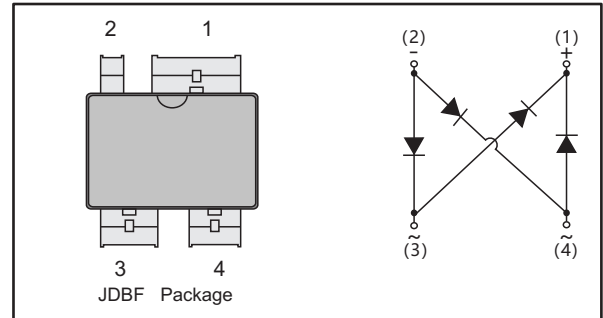
- Reverse Voltage - 100 to 1000 V
- Forward Current - 15 A
- High Surge Current Capability
- Designed for Surface Mount Application

MECHANICAL DATA

- Case: JDBF
- Terminals: Solderable per MIL-STD-750, Method 2026
- Approx. Weight: 2.745g / 0.0968oz

PINNING

PIN	DESCRIPTION
1	Output Anode (+)
2	Output Cathode (-)
3	Input Pin (~)
4	Input Pin (~)



Maximum Ratings and Electrical characteristics

Ratings at 25 °C ambient temperature unless otherwise specified.

Single phase half-wave 60 Hz, resistive or inductive load, for capacitive load current derate by 20 %.

Parameter	Symbols	JDBFC 15B	JDBFC 15D	JDBFC 15G	JDBFC 15J	JDBFC 15K	JDBFC 15M	Units
Maximum Repetitive Peak Reverse Voltage	V_{RRM}	100	200	400	600	800	1000	V
Maximum RMS voltage	V_{RMS}	70	140	280	420	560	700	V
Maximum DC Blocking Voltage	V_{DC}	100	200	400	600	800	1000	V
Average Rectified Output Current	I_O	15						A
Peak Forward Surge Current 8.3 ms Single Half Sine Wave Superimposed on Rated Load(JEDEC Method)	I_{FSM}	250						A
I^2t Rating for Fusing $t=8.3ms$	I^2t	259						A ² S
Maximum Forward Voltage Per Diode at 7.5 A	V_F	1.0						V
Maximum DC Reverse Current at Rated DC Blocking Voltage @ $T_A=25\text{ }^\circ\text{C}$ @ $T_A=125\text{ }^\circ\text{C}$	I_R	5 100						μA
Typical Junction Capacitance (Note1)	C_j	75						pF
Typical Thermal Resistance (Note2)	$R_{\theta JA}$ $R_{\theta JC}$ $R_{\theta JL}$	25 5 10						$^\circ\text{C/W}$
Operating and Storage Temperature Range	T_j, T_{stg}	-55 ~ +150						$^\circ\text{C}$

Note: 1. Measured at 1MHz and applied reverse voltage of 4 V D.C.

2. Mounted on glass epoxy PC board with 4×3.81cm ×3.81cm copper pad.



Fig.1 Average Rectified Output Current Derating Curve

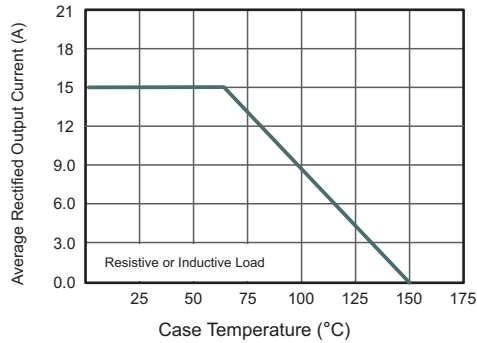


Fig.2 Typical Reverse Characteristics

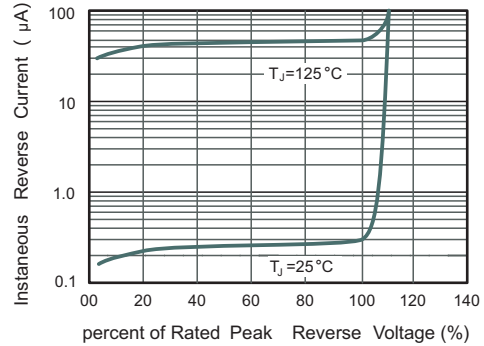


Fig.3 Typical Instantaneous Forward Characteristics

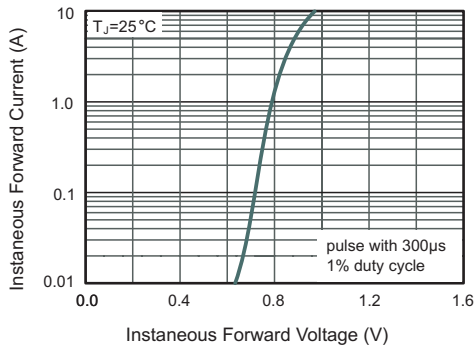


Fig.4 Typical Junction Capacitance

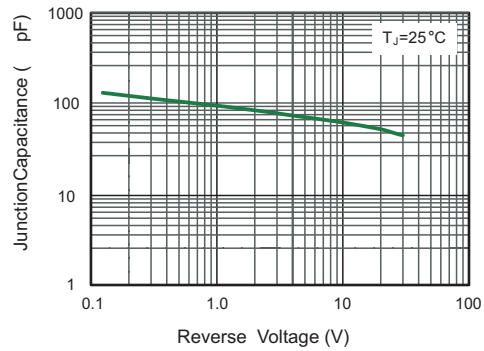
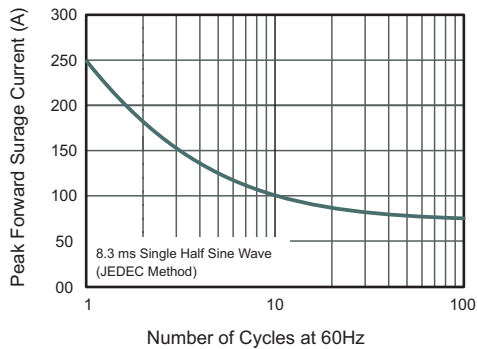


Fig.5 Maximum Non-Repetitive Peak Forward Surge Current

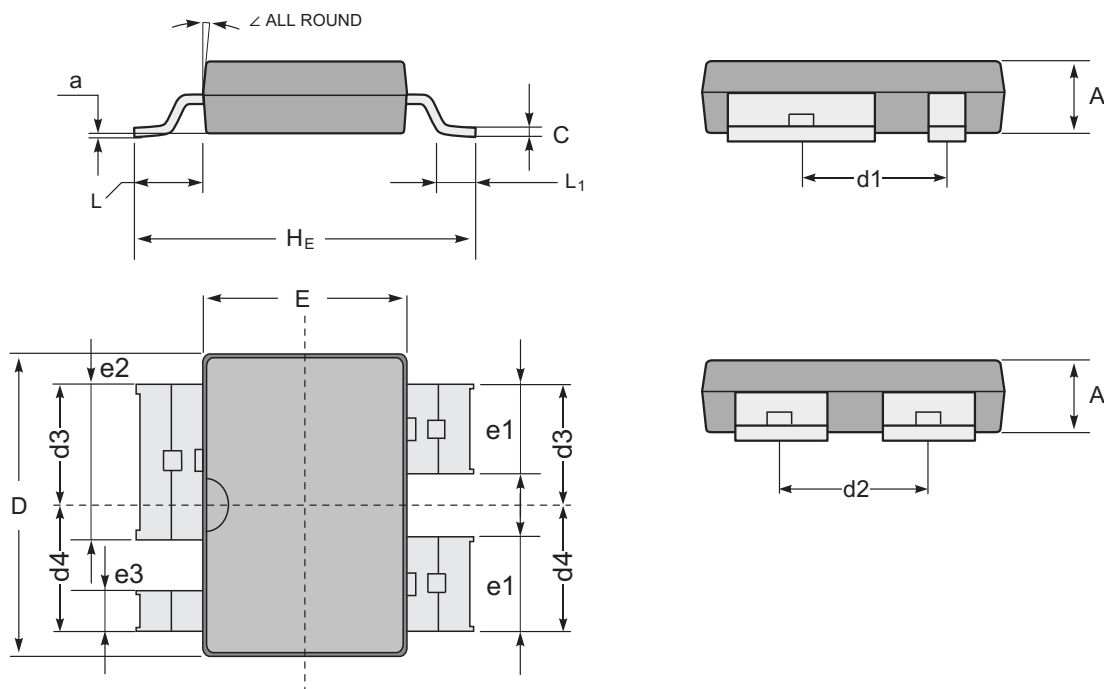




PACKAGE OUTLINE

Plastic surface mounted package; 4 leads

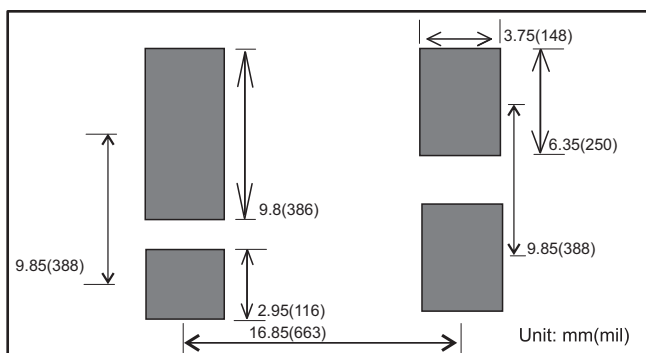
JDBF



Mechanical data

Unit		A	C	D	E	H _E	e ₁	e ₂	e ₃	d ₁	d ₂	d ₃	d ₄	L	L ₁	a	\angle
mm	max	3.9	0.50	20.9	13.6	20.5	6.35	9.8	2.95	9.85	8.0	3.85	2.72	0.19 (ref.)	12°		
	nom	3.6	0.40	20.4	13.1	20.0	6.05	9.5	2.65	9.55	7.8	3.45	2.32				
	min	3.3	0.30	19.9	12.6	19.5	5.75	9.2	2.35	9.25	7.6	3.05	1.92				
mil	max	153.5	19.7	822.8	535.4	807.1	250.0	385.8	116.1	387.8	315.0	151.6	107.1	7.5 (ref.)			
	nom	141.7	15.8	803.1	515.7	787.4	238.2	374.0	104.3	376.0	307.1	135.8	91.3				
	min	129.9	11.8	783.5	496.1	767.7	226.4	362.2	92.5	364.2	299.2	120.1	75.6				

The recommended mounting pad size



Marking

Type number	Marking code
JDBFC15B	JDBFC15B
JDBFC15D	JDBFC15D
JDBFC15G	JDBFC15G
JDBFC15J	JDBFC15J
JDBFC15K	JDBFC15K
JDBFC15M	JDBFC15M



文件履历表

序号	制/修订日期	生效日期	版次	修订内容	变更原因	制/修订人	备注
01	2022. 9. 6	2022. 09. 18	Rev 1. 1	初版制定	/	张雷	
02	2022. 10. 30	2022. 11. 1	Rev 1. 2	加严d3, d4尺寸标注	客户要求	郭金铮	



Important Notice and Disclaimer

Jingdao Microelectronics reserves the right to make changes to this document and its products and specifications at any time without notice. Customers should obtain and confirm the latest product information and specifications before final design, purchase or use.

Jingdao Microelectronics makes no warranty, representation or guarantee regarding the suitability of its products for any particular purpose, nor does Jingdao Microelectronics assume any liability for application assistance or customer product design.

Jingdao Microelectronics does not warrant or accept any liability with products which are purchased or used for any unintended or unauthorized application.

No license is granted by implication or otherwise under any intellectual property rights of Jingdao Microelectronics.

Jingdao Microelectronics products are not authorized for use as critical components in life support devices or systems without express written approval of Jingdao Microelectronics.