



Transient Voltage Suppressors for ESD Protection

FEATURES

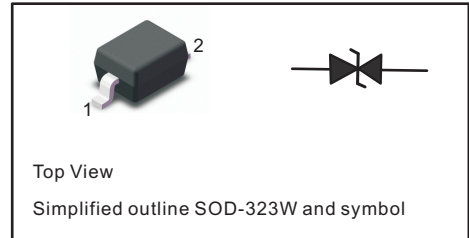
- Bidirectional configurations
- 1800 Watts Peak Pulse Power per (8/20 μ s)
- IEC61000-4-2 (ESD) \pm 15kV (air), \pm 8kV (contact)
- Low leakage current
- Tiny SOD-323W package

Applications

- Cell Phone Handsets and Accessories
- Microprocessor based equipment
- Personal Digital Assistants (PDA's)
- Notebooks, Desktops and Servers
- Portable Instrumentation
- Networking and Telecom
- SOD323W package
- Packaging: Tape and Reel

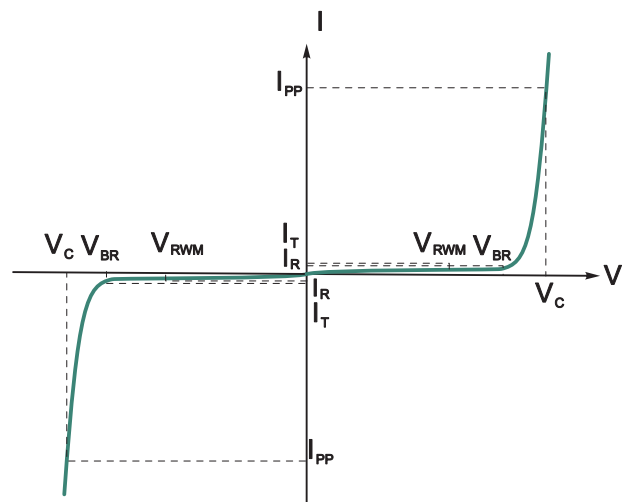
PINNING

PIN	DESCRIPTION
1	Cathode
2	Anode



Electronics Parameter

Parameter	Symbol
Maximum Reverse Peak Pulse Current	I_{PP}
Clamping Voltage @ I_{PP}	V_C
Peak Reverse Working Voltage	V_{RWM}
Reverse Leakage Current @ V_{RWM}	I_R
Breakdown Voltage @ I_T	V_{BR}
Test Current	I_T
Forward Current	I_F
Forward Voltage @ I_F	V_F



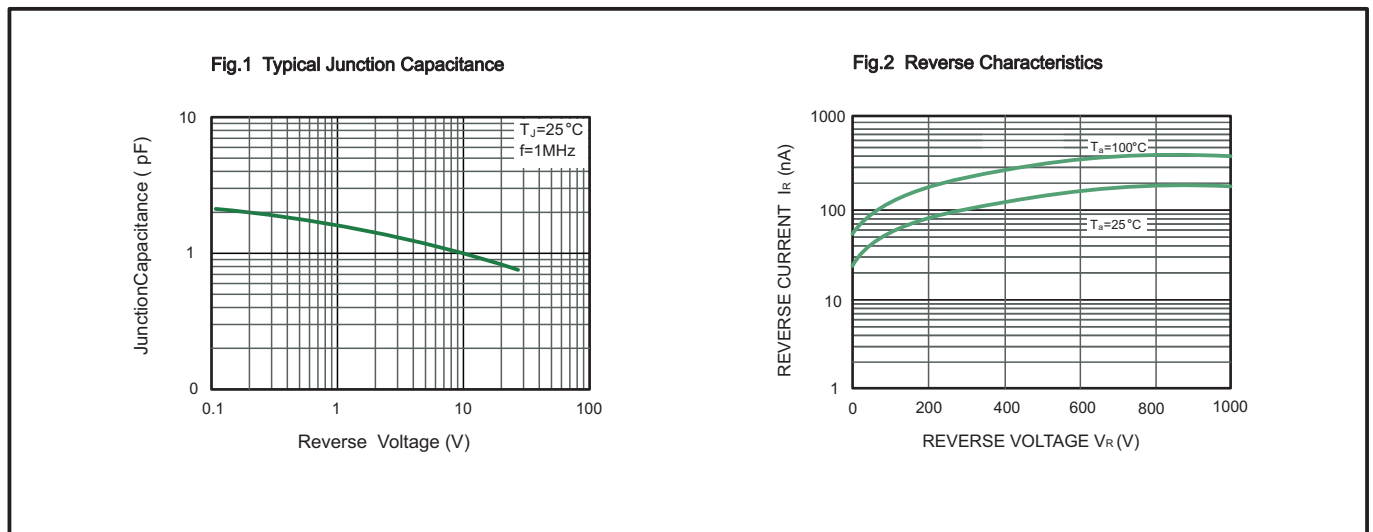


Absolute Ratings (Ta=25°C)

Parameter	Symbol	Value	Unit
Peak Pulse Power(tp=8/20us)	P _{PP}	1800	W
ESD per IEC 61000-4-2(Air)	V _{ESD}	±15	kV
Operating Junction Temperature	T _J	-55 to +125	°C
Storage Temperature	T _{STG}	-55 to +150	°C

Electrical Characteristics

Type	Marking	V _{RWM} (V)	I _R (μ A) @V _{RWM}	V _{BR} (V) @IT=1mA	V _C (V) @IPP=1.68A tp=8/20us	C _J (pF) @f=1MHz V _R =0V
		Max.	Max.	Min.	Max.	Max.
ESDB700VD3	B7	700	1	750	1300	5

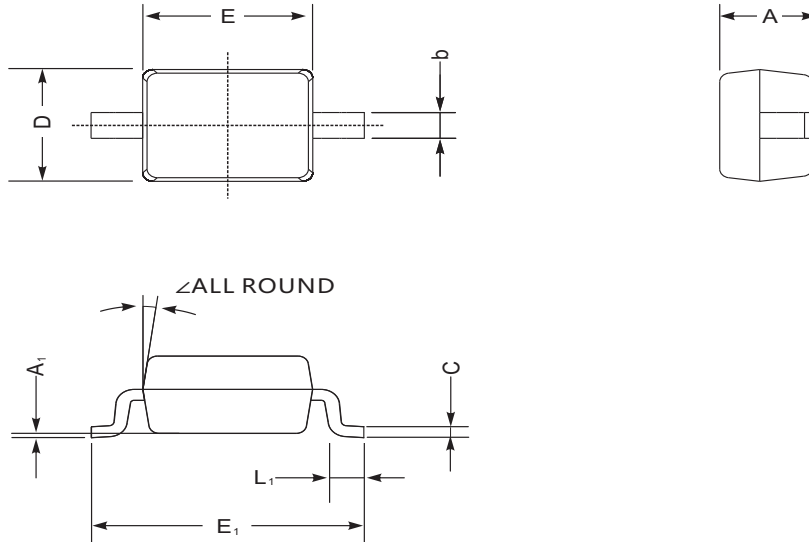




PACKAGE OUTLINE

Plastic surface mounted package; 2 leads

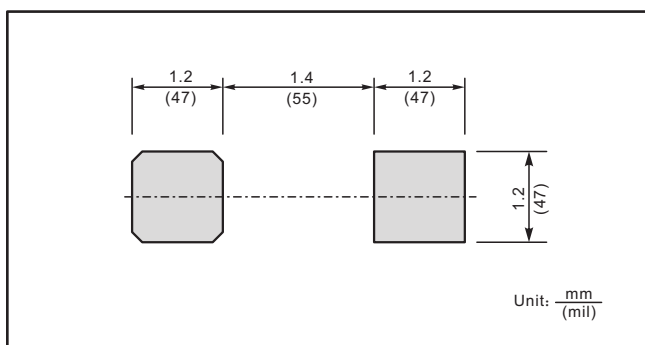
SOD-323W



SOD-323W mechanical data

UNIT		A	C	D	E	E ₁	b	L ₁	A ₁	∠
mm	max	1.1	0.15	1.4	1.8	2.75	0.4	0.45	0.2	9°
	min	0.8	0.08	1.2	1.4	2.55	0.25	0.2	—	
mil	max	43	5.9	55	70	108	16	16	8	
	min	32	3.1	47	55	100	9.8	7.9	—	

The recommended mounting pad size



Marking

Type number	Marking code
ESDB700VD3	B7